

## T1750

# Engineered for High-Flow, High-Pressure Applications

The Fairchild Model T1750 Series Transducer has a closed-loop, integrated micro processor control system with adjustable PID timing coefficients for precision pressure control in applications requiring high pressure and high flow.

Contact your local distributor or Fairchild's Application support Team today at (336) 659-3400 to discuss the Model T1750 Transducer and our complete line of precise and reliable process and control products.

## Model T1750 High Pressure Transducer



Housen development (Intl) Co., Ltd.

TEL:86-592-6054592

FAX:86-592-6054591

<http://www.newera.hk>

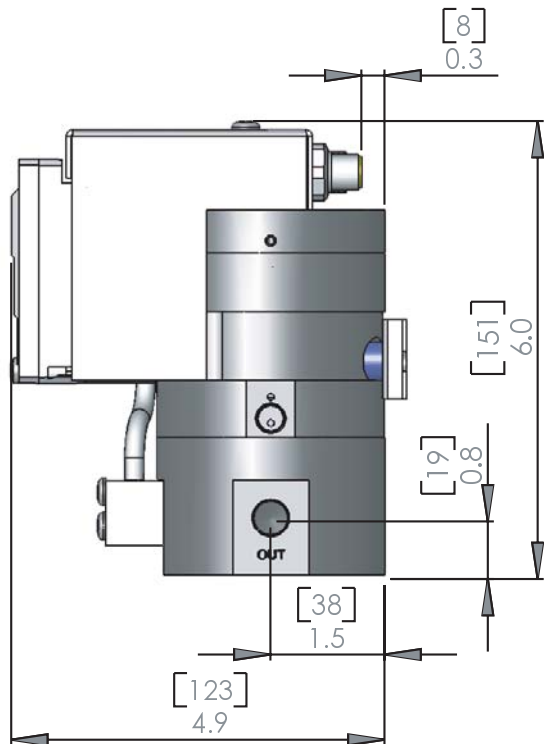
 **FAIRCHILD**  
precision pneumatic & motion control

## Model T1750 High Pressure Transducer

### Specifications

Flow Capacity	120 SCFM (203.88 m <sup>3</sup> /HR) @ supply pressure 600 psig, [40 BAR], (4000 kPa)
Exhaust Capacity	20 SCFM (33.98 m <sup>3</sup> /HR) for downstream pressure
Maximum Supply Pressure	1000 psig, [70 BAR], (7000 kPa)
Supply Pressure Effect	No Measureable Effect
Ambient Temperature Limits	0°F to 140°F (-18°C to 60°C)
Accuracy/Repeatability/Linearity/Hysteresis	< +/- 0.50% of Span (per ISA SSI.1)
Deadband	Adjustable from 0 to 10% of Full Scale

Materials of Construction	
Body and Housing	.Chromate Treated Aluminum
Cover and Pintle	.Acetal Plastic
Trim	.Plated Steel
Elastomers	.Fluorocarbon and Silicone
Finish	.Anodize



### Catalog Number T1750

#### Input

0-10 VDC	0
4-20 mA	4
DeviceNet™	D

#### Output

0-300 psig	04
0-750 psig	05
[0-20 BAR]	14
[0-50 BAR]	15
(0-2.0 mPa)	24
(0-5.0 mPa)	25

#### Pipe Size

1/4" NPT	02
3/8" NPT	03
1/2" NPT	04

#### Pipe Thread Type

NPT Thread	O
BSPT Thread	U
BSPP Thread	H

#### Option Type

No Option Board	N
0-10 VDC Analog Output	0
4-20 mA Analog Output	4

#### Information

- Additional technical information available on our website at [www.fairchildproducts.com](http://www.fairchildproducts.com).
- Solidworks and CAD drawings available upon request.

#### Ordering Information

- Please visit our website at [www.fairchildproducts.com](http://www.fairchildproducts.com) or your nearest authorized distributor:

<http://www.newera.hk>  
13779968079



ISO 9001:2000  
Certified